



HARBOR ELECTRIC FABRICATION & TOOL, INC.

29 Portman Rd.

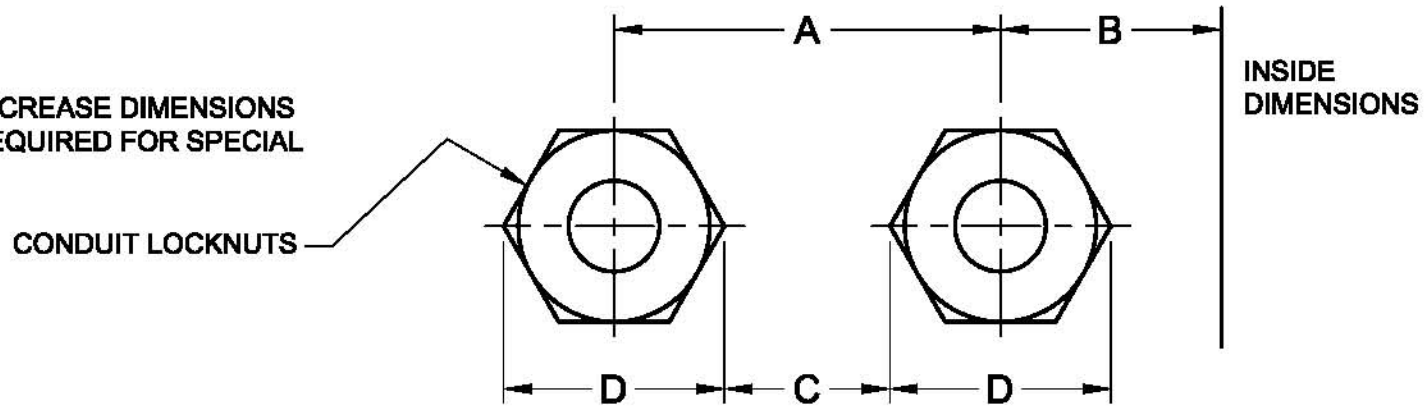
New Rochelle, NY 10801

Phone: 914-636-4400 Fax: 914-636-4401

info@heftifab.com

CONDUIT SPACING CHART

NOTE:
INCREASE OR DECREASE DIMENSIONS
"A" AND "C" AS REQUIRED FOR SPECIAL
PURPOSES.



Size of conduit	Diameter of hole	"B"	"C"	"D"	Dimension "A" Minimum Space Between Conduit Centers												
					1-1/4	3/4	1	1-1/4	1-1/2	2	2-1/2	3	3-1/2	4	4-1/2	5	
1/2	7/8	7/8	1/8	1-1/8	1-1/4	1-3/8	1-5/8	1-7/8	2	2-3/8	2-5/8	3	3-1/4	3-5/8	4-1/8	4-1/2	
3/4	1-1/8	1	1/8	1-3/8	1-3/8	1-1/2	1-3/4	2	2-1/8	2-1/2	2-3/4	3-1/8	3-3/8	3-3/4	4-1/4	4-5/8	
1	1-3/8	1-1/4	3/8	1-5/8	1-5/8	1-3/4	2	2-1/4	2-3/8	2-3/4	3	3-3/8	3-5/8	4	4-3/8	4-3/4	
1-1/4	1-3/4	1-1/2	1/2	2	1-7/8	2	2-1/4	2-1/2	2-5/8	3	3-1/4	3-5/8	3-7/8	4-1/4	4-5/8	5	
1-1/2	2	1-3/4	3/8	2-3/8	2	2-1/8	2-3/8	2-5/8	2-3/4	3-1/8	3-3/8	3-3/4	4	4-3/8	5	5	
2	2-1/2	2	5/8	2-7/8	2-3/8	2-1/2	2-3/4	3	3-1/8	3-1/2	3-3/4	4-1/4	4-3/8	4-3/4	5	5-1/8	
2-1/2	3	2-1/4	1/2	3-1/2	2-5/8	2-3/4	3	3-1/4	3-3/8	3-3/4	4	4-3/8	4-5/8	5	5-3/8	5-3/4	
3	3-5/8	2-5/8	3/8	4-3/8	3	3-1/8	3-3/8	3-5/8	3-3/4	4-1/4	4-3/8	4-3/4	5	5-3/8	5-3/4	6-1/8	
3-1/2	4-1/8	3	1/4	5	3-1/4	3-3/8	3-5/8	3-7/8	4	4-3/8	4-5/8	5	5-1/4	5-3/4	6	6-1/2	
4	4-5/8	3-1/4	1/2	5-1/2	3-5/8	3-3/4	4	4-1/4	4-3/8	4-3/4	5	5-3/8	5-5/8	6	6-1/4	6-3/4	
4-1/2	5	3-1/2	1/2	6-1/8	4-1/8	4-1/4	4-3/8	4-5/8	5	5	5-3/8	5-3/4	6	6-1/2	6-5/8	7	
5	5-5/8	4	1/2	6-7/8	4-1/2	4-5/8	4-3/4	5	5	5-3/8	5-3/4	6-1/8	6-1/2	6-3/4	7	7-3/8	